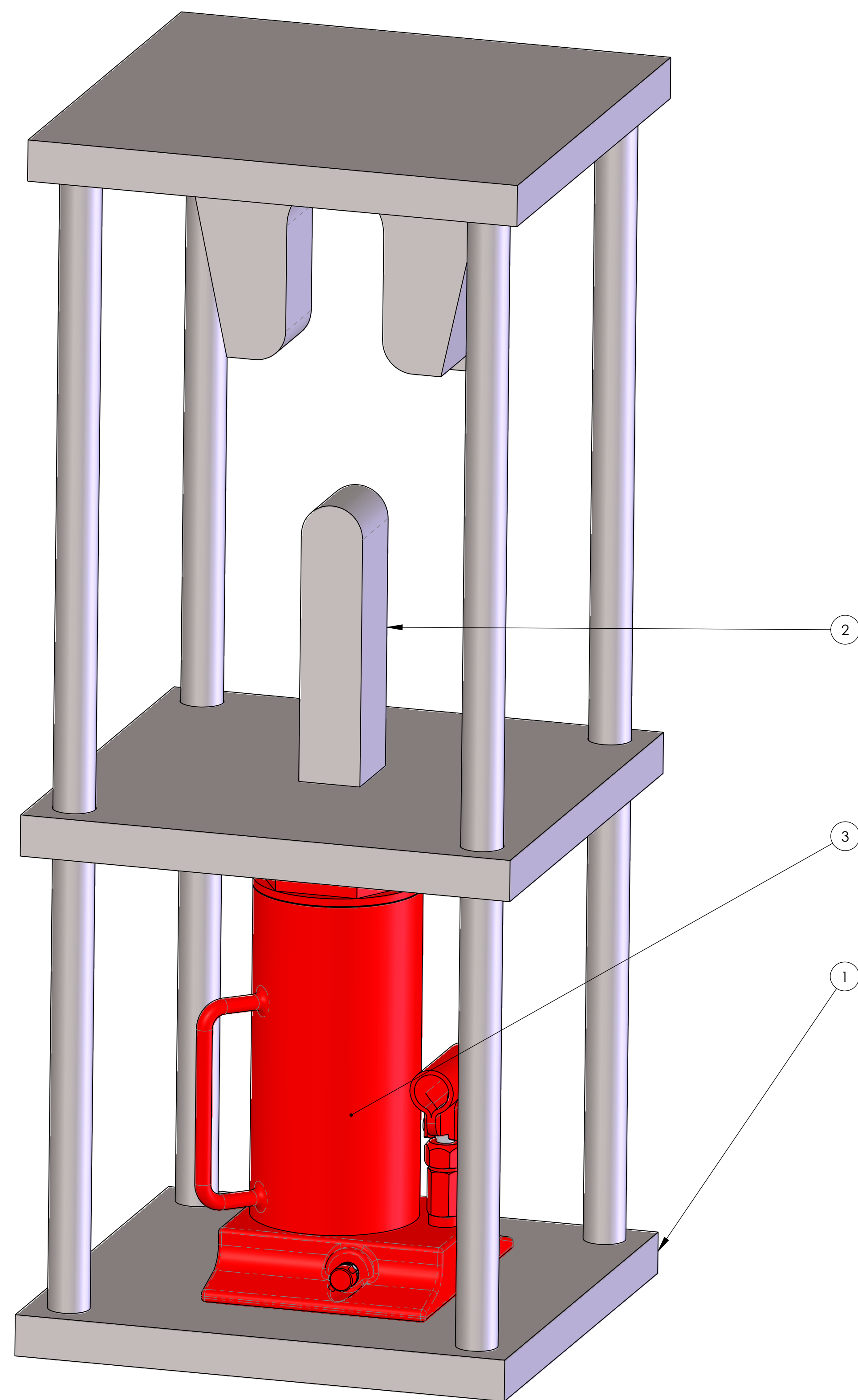


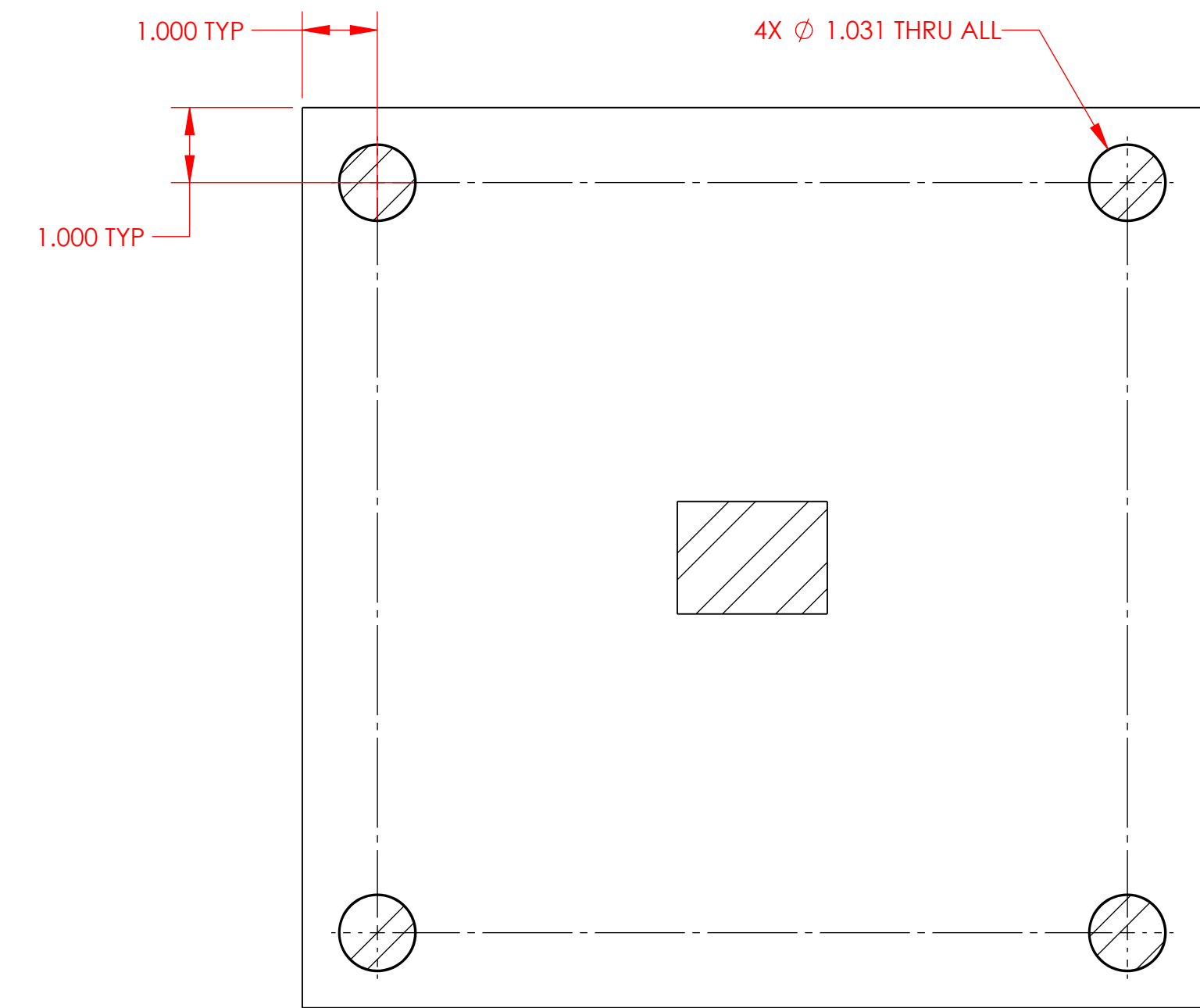
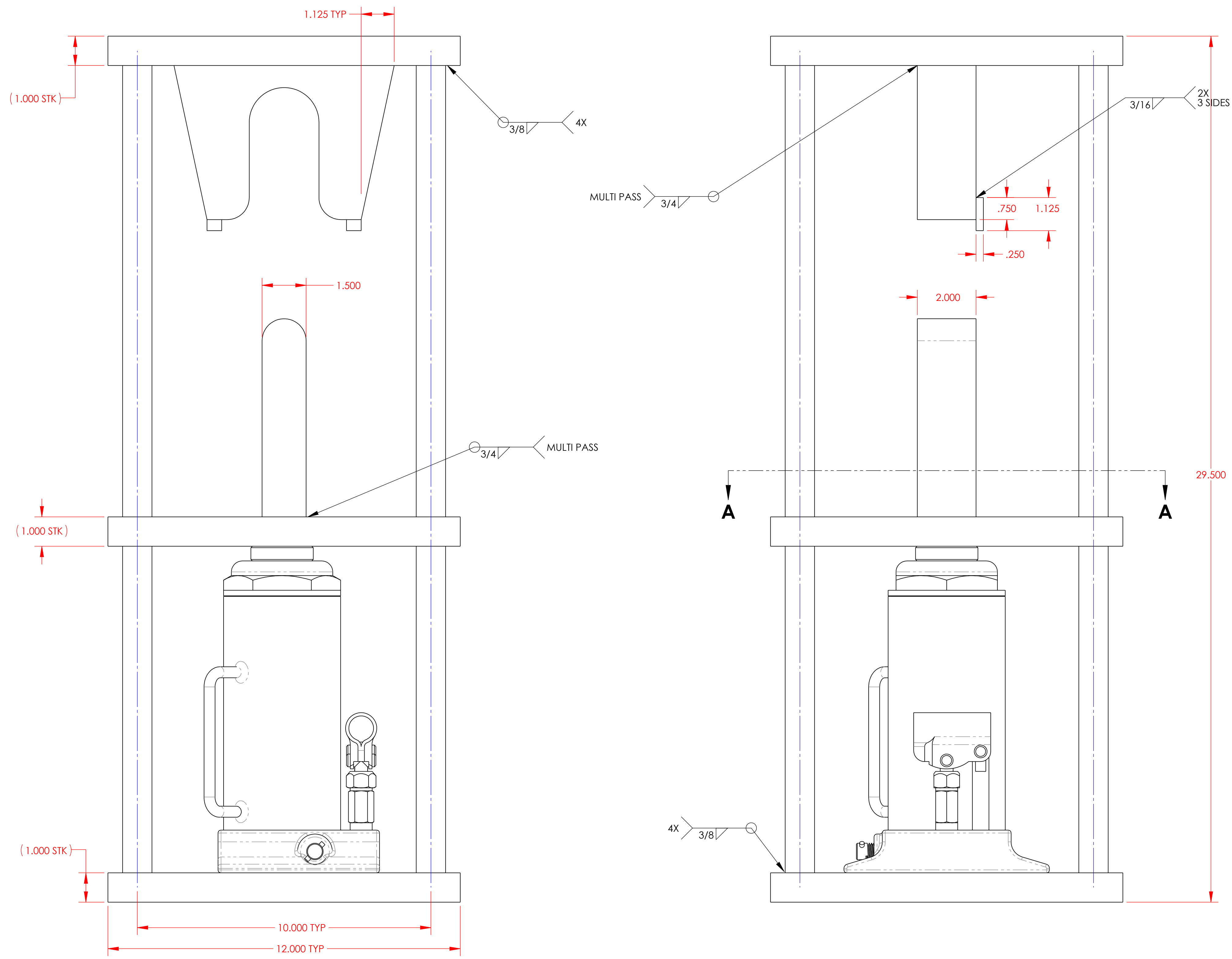
REVISIONS		
REV.	DESCRIPTION	DATE
A	INITIAL RELEASE	2/1/2023



ITEM NO.	QTY REQ	PART NUMBER	DESCRIPTION OR NOMENCLATURE	MANUFACTURER
3	1	2912T17	HEAVY DUTY HYDRAULIC BOTTLE JACK	MCMMASTER CARR
2	1	SUSA-23-0002	PLUNGER PLATFORM	SKILLS USA FABRICATION TEAM
1	1	SUSA-23-0001	MAIN FRAME, WELD TESTER	SKILLS USA FABRICATION TEAM

PARTS LIST

<p>PETERSEN INCORPORATED CONFIDENTIAL</p> <p>THIS DRAWING CONTAINS TRADE SECRETS OR OTHERWISE CONFIDENTIAL INFORMATION OWNED BY PETERSEN INCORPORATED. THE INFORMATION DISCLOSED HEREIN OR HERewith MAY NOT BE COPIED, DISTRIBUTED, OR OTHERWISE DISCLOSED EXCEPT UNDER APPROPRIATE PRECAUTIONS TO MAINTAIN THE CONFIDENTIALITY HEREOF, AND MAY NOT BE USED IN ANY WAY NOT EXPRESSLY AUTHORIZED BY PETERSEN INCORPORATED.</p>	DIMENSIONS ARE IN INCHES DIMENSIONS IN [] ARE MILLIMETERS DIMENSIONING & TOLERANCING PER ANSI Y14.5 UNLESS OTHERWISE SPECIFIED: TOLERANCES .X = ± .060 [1.52MM] .XX = ± .030 [.76MM] .XXX = ± .010 [.254MM] .XXXX = ± .0005 [.013MM] ANGLES ± 0°30' FRACTIONS ± 1/16 [1.59MM] BREAK EDGES .010-.020 [.25-.50mm] ALL SMALL FILLETS .020-.040 [.50-1.0mm] ALL FINISHED SURFACES 125 ✓		SIGNATURE	DATE	 OGDEN, UTAH - POCATELLO, IDAHO - USA A PRECINMAC Company TITLE/DESCRIPTION WELD TEST BENDER 2023 SKILLS USA FABRICATION CONTEST
	SIZE	THIRD ANGLE PROJECTION	DRAWN D.TALBOT	1/30/23	
	D		CHECKED		
			ENGINEER		
		APPROVED			
		APPROVED			
		RELEASED			
		CUSTOMER			
		--	--		
EST WT: 170.70		DO NOT SCALE DRAWING		SCALE: 1:2	
				VENDOR DWG NO.	
				DRAWING NUMBER	
				REV	
				SUSA-23-1000	
				A	
				SHEET 1 OF 2	



SECTION A-A



<p>PETERSEN INCORPORATED CONFIDENTIAL THIS DRAWING CONTAINS TRADE SECRETS OR OTHERWISE CONFIDENTIAL INFORMATION OWNED BY PETERSEN INCORPORATED. THE INFORMATION DISCLOSED HEREIN OR HEREWITH MAY NOT BE COPIED, DISTRIBUTED, OR OTHERWISE DISCLOSED EXCEPT UNDER APPROPRIATE PRECAUTIONS TO MAINTAIN THE CONFIDENTIALITY HEREOF, AND MAY NOT BE USED IN ANY WAY NOT EXPRESSLY AUTHORIZED BY PETERSEN INCORPORATED.</p>		<p>PETERSEN OGDEN, UTAH • POCAHELLO, IDAHO • USA A PRECINMAC Company</p>	
<p>SIZE: THIRD ANGLE PROJECTION</p>		<p>TITLE/DESCRIPTION WELD TEST BENDER 2023 SKILLS USA FABRICATION CONTEST</p>	
<p>D</p>		VENDOR DWG. NO.	DRAWING NUMBER
		<p>SUSA-23-1000</p>	
<p>DO NOT SCALE DRAWING</p>		SCALE: 1:2	SHEET 2 OF 2
			REV: A